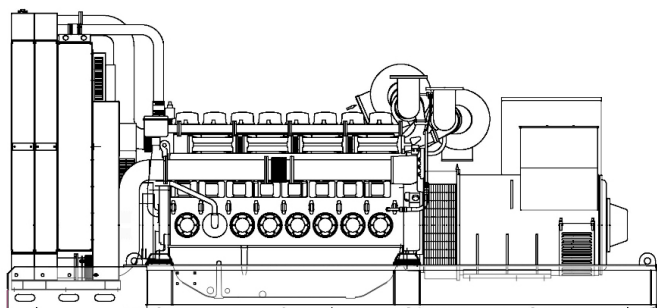




POWERFULL "U"



For illustrative purposes only

ENGINE

Description	CUMMINS
Engine model	KTA38-G14
Cylinders	12
RPM speed	1800
Cubic capacity	37.80 l
Air intake	Turbocharged
Standard voltage	24 Vdc
Optional voltage	Vdc
Sae	0-18
BMEP	1779 kPa
Cooling	Water
Flywheel P.R.P. Power net	960.0 kW
Flywheel Stand-by Power net	1065.0 kW
Fuel Cons. at 100% (L.T.P.)	266.0 l/h
Fuel Cons. at 100% (P.R.P.)	242.0 l/h
Fuel Cons. at 75% (P.R.P.)	189.0 l/h
Fuel Cons. at 50% (P.R.P.)	136.0 l/h
Fuel Cons. at 25% (P.R.P.)	82.0 l/h
Electronic regulator	Standard
Precision class	G3
Oil quantity	135.0 l
Engine Antifreeze capacity	32.7 l
Radiator type	TR
Heat from radiator	611.0 kW
Heat from exhaust	768.0 kW
Heat from radiation	104.0 kW
Exhaust temperature	486 °C
Portata Raffreddamento	1062.0 m ³ /min
Combustion air flow	0.0 m ³ /min
Exhaust gas flow	0.0 m ³ /min
TA Luft	N
TA Luft/2	N
EPA	N
Stage	N

MAIN DATA

Continuous power (PRP)	1140.00 kVA
Continuous power (PRP)	912.00 kW
Stand-by power (LTP)	1250.00 kVA
Stand-by power (LTP)	1000.00 kW
VAC - HZ - cos(fi)	208 - 60 - 0.8

DIMENSIONS AND WEIGHT

Width	2200 mm
Length	5000 mm
Height	2400 mm
Weight	9000 kg

ALTERNATOR

Description	STAMFORD
Alternator model	S6L1D-E
P.R.P. Power	1150 kVA
L.T.P. Power	1250 kVA
Connection	Parallel star
Phases	3FN
Winding	311
Terminal Number	12 nr.
IP Protection	23
Electronic regulator	MX322
Precision	0.5 ± %

BASEFRAME

Model	ST60
Standard tank	0 l
Optional tank	0 l
Oversized tank*	0 l

CANOPY & SILENCER

Canopy model	SENZA COFANO
Silencer model	MS 35
Silencer outlet diameter	168 mm

Standard reference conditions temperature 25°C, altitude 100m asl, relative humidity 30%, atmospheric pressure 100 kPa (1 bar), power factor 0.8 lag, balanced load - non distortional. Fuel consumption is nominal and refers to specific weight 0.850kg/l. Sound power values refer to free field conditions: the installation site may influence the values. Dimensions, weights and other specifications contained in the technical data sheet and related attachments are nominal, subject to tolerances and refer to the model with standard equipment; any optional and additional equipment/accessories can modify weight, dimensions, performance.

P.R.P. Prime Power-Continuous power at variable load: The power that a genset can supply in continuous service at a variable load for an unlimited number of hours per year while respecting the maintenance intervals established in the environmental conditions stated by the Manufacturer, according to ISO8528-1. The average power supplied over time and any applicable overload must be less than the percentages stated by the Manufacturer.

L.T.P. Limited-time running power-Limited power: The maximum power that a genset can supply for a limited time respecting the maintenance intervals established in the environmental conditions stated by the Manufacturer according to ISO 8528-1. The number of hours per year is stated by the Manufacturer. Overload is not permitted.

The data contained in this document is nominal and refers to the standard equipped model and is not binding. Visa S.p.A. reserves the right to revise the information without notice per our policy of continuous product development and improvement.

