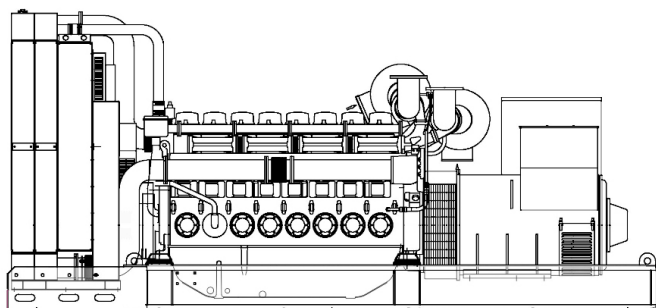




## POWERFULL "U"



For illustrative purposes only

### ENGINE

Description	MITSUBISHI
Engine model	S16R-PTA
Cylinders	16
RPM speed	1500
Cubic capacity	65.37 l
Air intake	Turbocharged
Standard voltage	24 Vdc
Optional voltage	Vdc
Sae	00-21
BMEP	1814 kPa
Cooling	Water
Flywheel P.R.P. Power net	1480.0 kW
Flywheel E.P. Power net	1620.0 kW
Fuel Cons. at 100% (E.P.)	399.0 l/h
Fuel Cons. at 100% (P.R.P.)	354.0 l/h
Fuel Cons. at 75% (P.R.P.)	269.0 l/h
Fuel Cons. at 50% (P.R.P.)	190.0 l/h
Fuel Cons. at 25% (P.R.P.)	108.0 l/h
Electronic regulator	Standard
Precision class	G3
Oil quantity	230.0 l
Engine Antifreeze capacity	170.0 l
Radiator type	TE
Heat from radiator	852.0 kW
Heat from exhaust	976.0 kW
Heat from radiation	102.0 kW
Exhaust temperature	0 °C
Portata Raffreddamento	1950.0 m <sup>3</sup> /min
Combustion air flow	117.0 m <sup>3</sup> /min
Exhaust gas flow	309.0 m <sup>3</sup> /min
TA Luft	N
TA Luft/2	N
EPA	N
Stage	N

### MAIN DATA

Continuous power (PRP)	<b>1730.00</b> kVA
Continuous power (PRP)	<b>1384.00</b> kW
Emergency power (E.P.)	<b>1900.00</b> kVA
Emergency power (E.P.)	<b>1520.00</b> kW
VAC - HZ - cos(fi)	<b>400 - 50 - 0.8</b>

### DIMENSIONS AND WEIGHT

Width	2002 mm
Length	5500 mm
Height	2503 mm
Weight	13100 kg

### ALTERNATOR

Description	STAMFORD
Alternator model	PI734E
P.R.P. Power	1900.0 kVA
E.P. Power	2035.0 kVA
Connection	Star
Phases	3FN
Winding	312
Terminal Number	6 nr.
IP Protection	23
Electronic regulator	MX341
Precision	1.0 ± %

### BASEFRAME

Model	ST60
Standard tank	0 l
Optional tank	0 l
Oversized tank*	0 l

### CANOPY & SILENCER

Canopy model	SENZA COFANO
Silencer model	MS 65
Silencer outlet diameter	406.0 mm

Standard reference conditions temperature 25°C, altitude 100m asl, relative humidity 30%, atmospheric pressure 100 kPa (1 bar), power factor 0.8 lag, balanced load - non distortional. Fuel consumption is nominal and refers to specific weight 0.850kg/l. Sound power values refer to free field conditions: the installation site may influence the values. Dimensions, weights and other specifications contained in the technical data sheet and related attachments are nominal, subject to tolerances and refer to the model with standard equipment; any optional and additional equipment/accessories can modify weight, dimensions, performance. **P.R.P. - Prime Power-Continuous power at variable load:** The power that a genset can supply in continuous service at a variable load for an unlimited number of hours per year while respecting the maintenance intervals established in the environmental conditions stated by the Manufacturer, according to ISO8528-1. The average power supplied over time and any applicable overload must be less than the percentages stated by the Manufacturer. **E.P. - Emergency power:** This is the maximum power that a generating set can deliver for a limited number of hours per year while complying with the maintenance frequency stipulated under the environmental conditions set by the Manufacturer. The number of hours per year is determined by the engine manufacturer. The average power output over time must be lower than the percentages set by the engine manufacturer. Overloading is not allowed.

The data contained in this document is nominal and refers to the standard equipped model and is not binding. Visa S.p.A. reserves the right to revise the information without notice per our policy of continuous product development and improvement.

