

Model: Dewatering Wet Prime - motor pump



ALL PICTURES SHOWN ARE FOR ILLUSTRATION PURPOSE ONLY

## ZEUS 3" RANGE

### Version on carrying frame

Petrol driven self-priming centrifugal contractor pump for clean or dirty water with soft solids, for firefighting or emergency use only

#### Construction features

- Casing in Aluminum, with priming, inspection and drain covers.
- Type: Self-priming centrifugal pump.
- Ports: 3" BSP threaded.
- Impeller: 3 blades semi-open impeller in stainless steel, dia. 138 mm, solids handling up to dia. max. 36 mm.
- Wear plate: Steel.
- Shaft seal: Graphite/Silicon carbide/FKM (Viton®) mechanical seal.
- Non-return valve and gaskets: NBR (Nitrile Rubber).

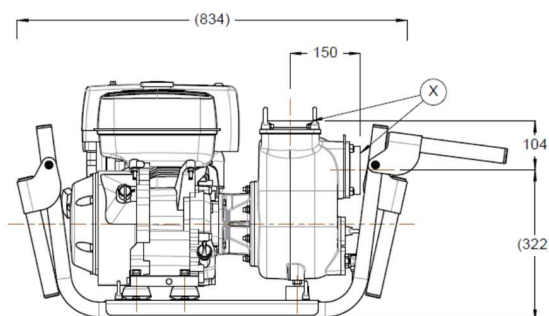
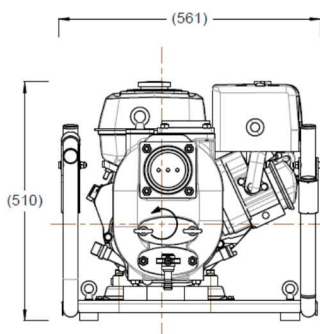
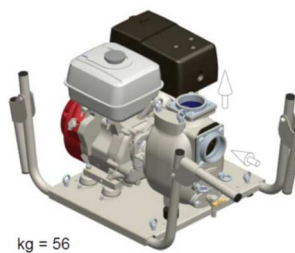
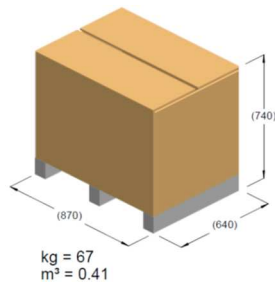
#### Engine

Brand	Honda
Model	GX390,
Power	11,7 HP @ 3600
Cooling system	Air
Nr. cylinders	1

#### Pump

Brand	Victor Pumps
Model	S 81+50 A30Q+G
Suction	3"
Delivery	3"
Solid passage	36 mm
Q max	95 m <sup>3</sup> /h
H max	35 mt
Pump speed	3600 tr/min

#### PRELIMINARY DIMENSIONS



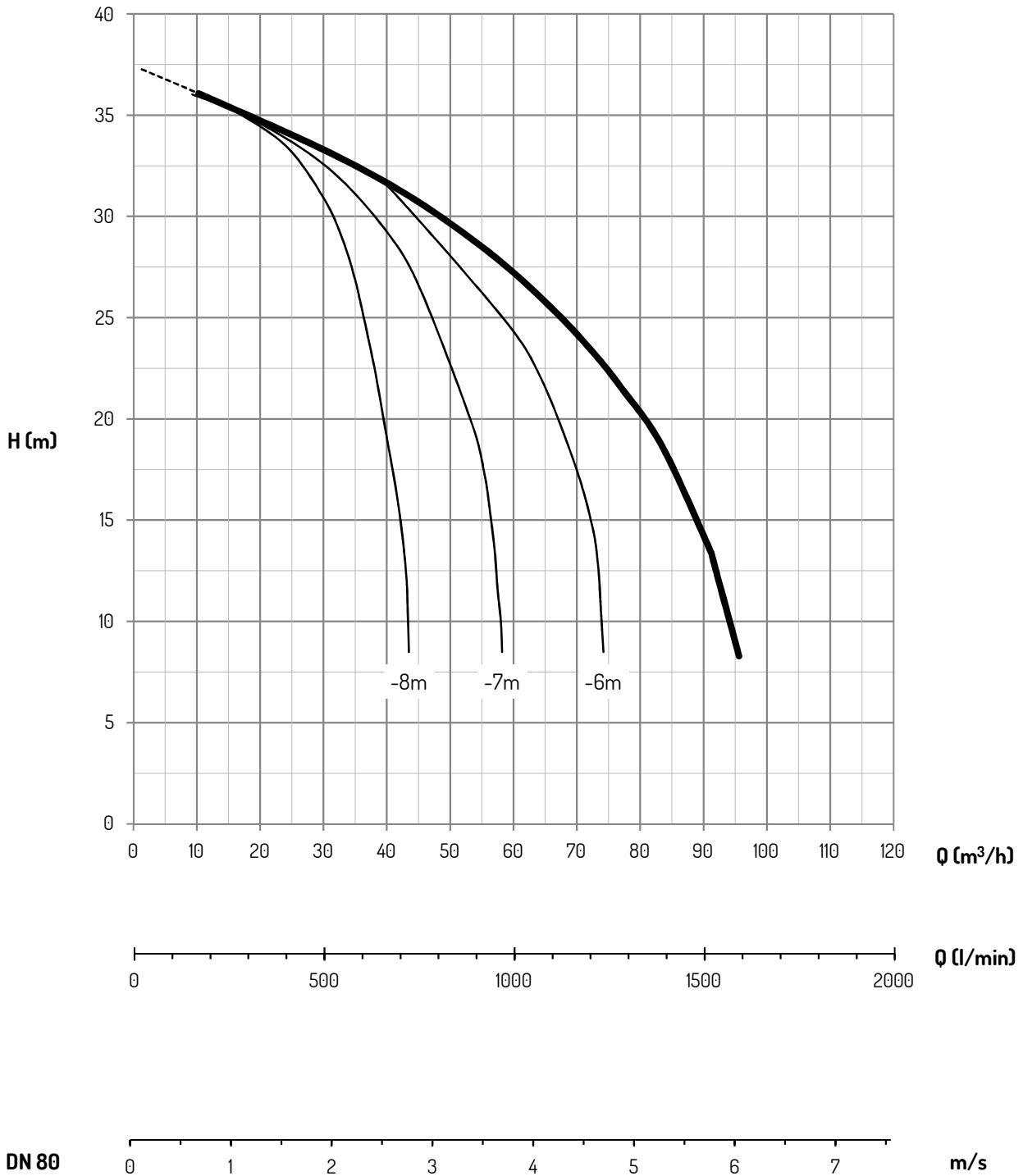
The data contained in this document is nominal and refers to the standard equipped model and is not binding. Visa S.p.A. reserves the right to revise the information without notice.

# S 81 A30Q - 3600 rpm

Laufrad:  
Impeller: Ø 138 mm  
Girante:  
T1601211 138 -> 138mm; 3600 -> 3600rpm

Feststoffe bis:  
Solids up to: 36 mm Ø  
Solidi fino a:

Umdrehung:  
Speed: ~ 3600 min-1  
Velocità:



ISO 9906:2012 - GRADE 3B,  $\rho = 1 \text{ kg/dm}^3$ ,  $\nu = 1 \text{ mm}^2/\text{s}$ , calculated

DN 80